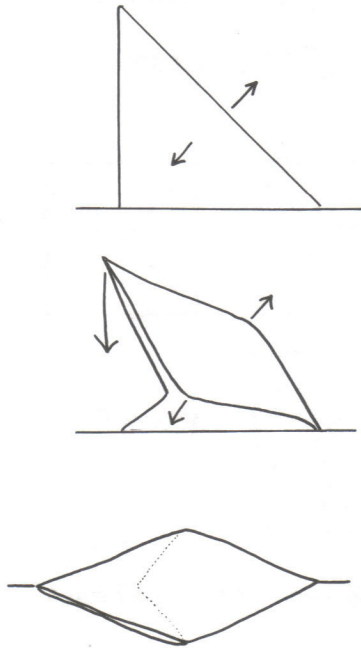
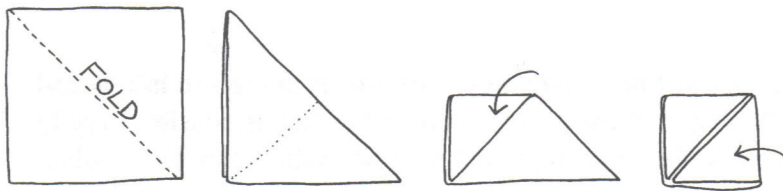
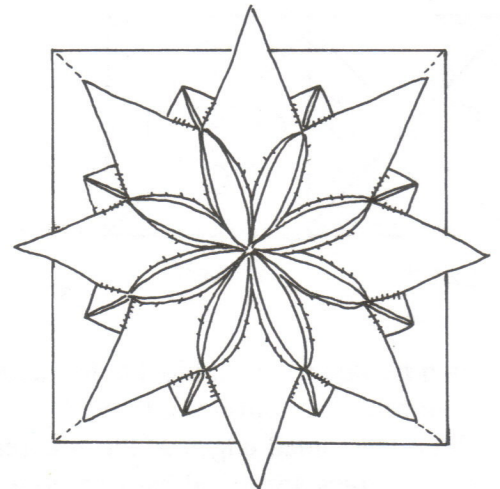
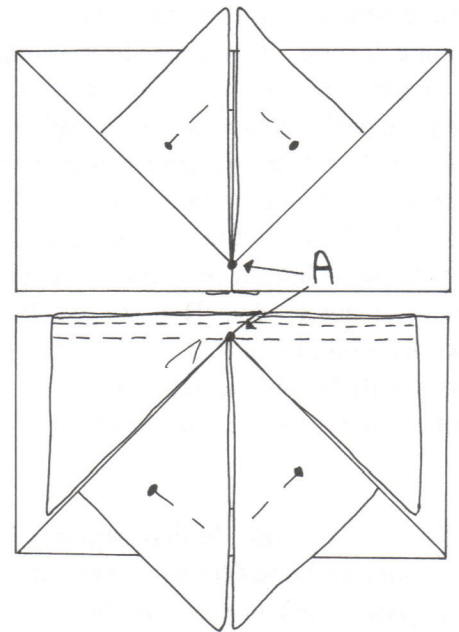
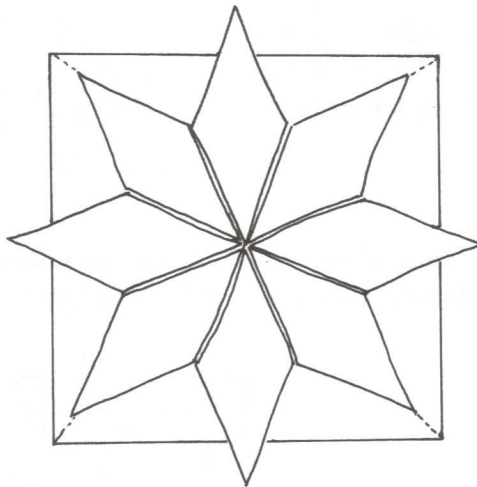


5. Join the two halves by taking the second rectangular section and place R/S together, lining up all points of the petals on both sets at **A** in the centre; pin, baste if preferred; sew this last seam. Press the seams open trimming any excess bulk. Open out the block. Hopefully the points will all meet in the middle but **covered buttons are really effective!**



Manipulate the shapes by lifting each petal up and pulling the sides apart, flatten into a diamond shaped segment. Pin in place before pressing. (Sides of shape are on bias so can be manoeuvred if necessary to achieve final result i.e. pull and push them!)



6. Fold the eight Turquoise squares as shown and insert under the petals. Slip stitch along the edges to secure in place. Experiment with rolling and twisting the edges of the petals. Add beads at the junctions or tassels to the points for some personal creativity!

* Interlocked Squares Border

1. Fold sixteen **Cream**, all eight **Turquoise** and eight **Green** squares on the diagonal, R/S out, and press into triangles.

